



# TECHNOLOGY

FRAME | LENS | PRESCRIPTION

IMANOL ERVITI (ESP), MOVISTAR TEAM

JUSTIN ROSE (GBR)

# PRESCRIPTION

---

## YOUR OWN **PRESCRIPTION** SOLUTION

CLEAR VISION ALLOWS YOU TO SEE EVERY TINY DETAIL, SO THAT YOU CAN PERFORM BETTER AND ENJOY THE SPORTS YOU PLAY. SEEING CORRECTLY REDUCES EYE FATIGUE, INCREASES CONCENTRATION, AND LOWERS YOUR RISK FOR INJURIES. JUST A SMALL CHANGE IN PRESCRIPTION DRASTICALLY INCREASES YOUR RISK OF LOSING FOCUS. HIGH QUALITY SPORTS EYEWEAR PROTECTS THE EYES AND PROVIDES FIRST CLASS VISION. FOR ATHLETES WHO REQUIRE PRESCRIPTION LENSES, ADIDAS SPORT EYEWEAR OFFERS A RANGE OF PRESCRIPTION SOLUTIONS COMPATIBLE WITH THEIR INDIVIDUAL NEEDS AND TYPES OF SPORT.

YOU CAN CHOOSE BETWEEN DIRECT GLAZING, ADAPTER, AND CLIP-IN SOLUTIONS TO ENSURE OPTIMAL PERFORMANCE THROUGH OPTIMAL VISION – YOUR INDIVIDUAL PRESCRIPTION SOLUTION, BUILT FOR PERFORMANCE!



### **CLIP-IN**

THIS VERSATILE PRESCRIPTION SOLUTION ALLOWS YOU TO QUICKLY AND EASILY CHANGE LENSES.



### **ADAPTER**

PROVIDES YOU WITH A WIDE RANGE OF PRESCRIPTION OPTIONS.



### **DIRECT GLAZING**

UNCOMPROMISED VISION IN SPORT. PROVIDES YOU WITH THE LARGEST FIELD OF VISION FOR PERFECT SIGHT FROM EVERY ANGLE.

PRESCRIPTION

**“I LOVE THE  
DIRECT GLAZING  
SOLUTION AS THIS  
GIVES ME THE  
BIGGEST FIELD  
OF VISION”**

BERND ZANGERL (AUT)



# PRESCRIPTION

## PERFECT SIGHT FOR ATHLETES

The prescription concept by adidas Sport eyewear guarantees sportsmen and women clear and undistorted vision. Built to face anything, with all the performance benefits an athlete needs, with prescription included. This means best performance even in extreme situations, which can be adjusted to individual preferences and diverse sports.

### THE PRESCRIPTION CONCEPT

adidas Sport eyewear guarantees athletes clear, undistorted vision for maximum performance in every situation, even in extreme locations.

### AS INDIVIDUAL AS YOU

The prescription concept is adjusted to individual needs and different sport types. For athletes who want to achieve maximum performance with optimum vision.

### SAFE AND ADVANTAGEOUS

Clear vision means less risk of injury thanks to optimum reaction times and better risk assessment. Reduced eye fatigue increases concentration and visual performance, which results in a higher fun factor in sport.

### ONLY THOSE WHO CAN FOCUS ON THEIR TARGET WILL ACHIEVE IT.

The tilted position of the lenses in sharply curved eyewear causes optical side-effects.

In order to obtain the right eyewear, the lenses should be corrected. You can download the correction program Silhouette wrap-around calculator from our website (<http://b2b.silhouette.com>) free of charge. The program integrates all customer data, frame data and lens data into the calculation, in order to obtain the best possible customer-specific correction of all optical aberrations. Please contact your local distributor. The vertical lens size means that bifocal and progressive lenses can be fitted. However, the lens type must be tailored to the wearer's individual requirements.

#### PLEASE NOTE:

- Correct the distance refraction using the Silhouette wrap-around calculator
- Do not correct the addition (= difference between the distance prescription and the near prescription)

If using bifocal or progressive lenses, the large face angle may make the lenses difficult to wear, so such glazing is carried out under your own responsibility.

### RX SPARE PARTS

FK 85-3	box
SHS17	microfiber bag
P 0029	mounting box
RX clip-in rimless	
BLS 63	plastic sleeve
Silicon 1,0	shock absorber
RX adapter nylon	
NY 2	nylon thread
AP11	metal cover panel

## RX DIRECT INFRAME GLAZING



### DIRECT INFRAME GLAZING (up to 10-base frames)

A more permanent solution offering perfect vision in all directions, especially with freeform technology, which is exactly calculated at every angle to the individual needs. Various adidas models offer the possibility of direct inframe glazing.



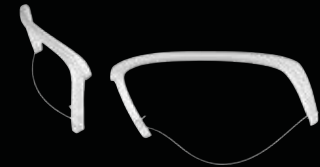
## RX ADAPTER NYLON

- For adapter glazing.
- wide field of vision
  - glazing can be done by an optician (like nylon glazing)
  - more glazing possibilities with adapter than with direct glazing
  - we recommend polycarbonate or HIX lenses



## RX ADAPTER FULLRIM

RX optical adapter incl. clear demo lenses for alignment available. Please contact your local distributor.



50 6060 transparent without demo lens



50 6050 black without demo lens



50 6050 grey without lens  
extended: 51 6050 grey without lens



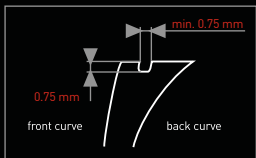
50 6060 grey silver mirror without lens  
extended: 51 6060 grey silver mirror without lens

## RX LENSES

Base 8 compensated due to the high wrap angle (>10°).

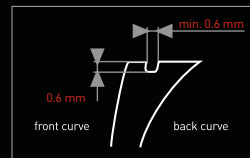
## RX LENSES

Base 8 compensated due to the high wrap angle (>10°).



## ADAPTATION

Glazing type: nylon. Glazing with groove depth 0,75 mm, groove width min. 0,75 mm (see diagram). A lens former is available.



## ADAPTATION

Glazing type: nylon. Glazing with groove depth 0,6 mm, groove width min. 0,6 mm (see diagram). A lens former is available.



## MOUNTING

Remove adapter from the frame. Insert RX lens first nasal than temporal in the adapter. Pull the nylon in the groove from frontside.



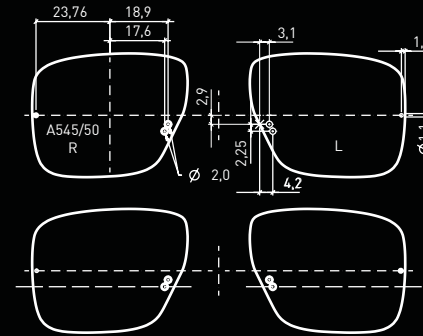
## MOUNTING

adapter + RX lens  
RX lens inserted into adapter from behind - beginning nasally



## RX CLIP-IN RIMLESS

- glazing parameters approx. -6/+6 HIX lens
- practically invisible
- extensive field of vision
- RX clip-in rimless is protected against external influences by the sun lenses
- most cost effective method for changing sunglass lenses according to different light conditions
- can be used for sport eyewear up to 10-base
- great variety of shapes
- suitable for bifocal and progressive lenses due to the deeper lens shape (a714/a715)



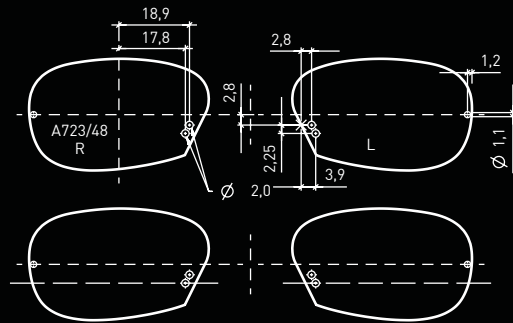
a545

50 x 40 mm  
[1714 mm<sup>2</sup>]

59 mm

22 mm

23°



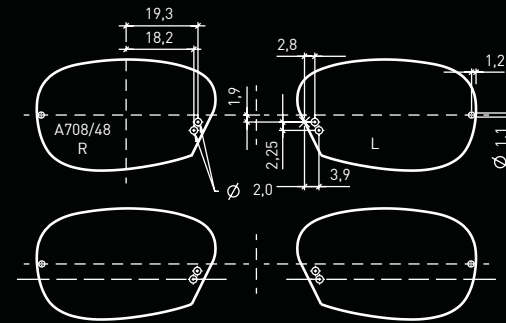
a723

48 x 30 mm  
[1192 mm<sup>2</sup>]

49 mm

24 mm

23°



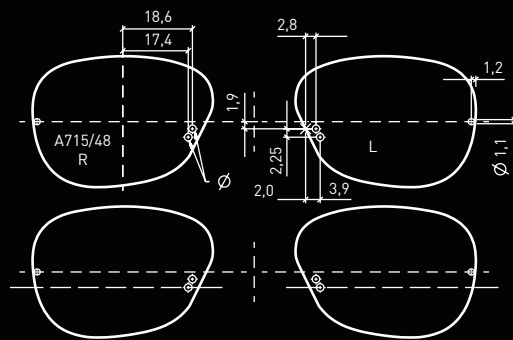
a708

48 x 30 mm  
[1192 mm<sup>2</sup>]

49 mm

22 mm

23°



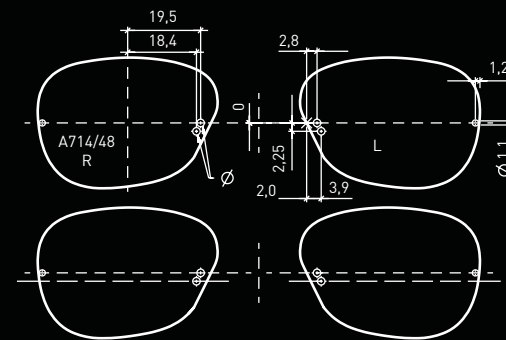
a715

48 x 35 mm  
[1364 mm<sup>2</sup>]

50 mm

24 mm

23°



a714

48 x 35 mm  
[1364 mm<sup>2</sup>]

50 mm

22 mm

23°



### RECOMMENDATION

high index lens 1,6 | dioptries: +/-6 dpt possible | antireflective coating

### INSTRUCTIONS:





## RX CLIP-IN RIM


- glazing parameters approx. -10/+8
- RX clip-in rim is protected against external influences by the sun lenses
- most cost effective method for changing sunglass lenses according to different light conditions
- can be used for sport eyewear up to 10-base
- easiest glazing
- easiest mounting (warming not necessary)
- the most cost-saving solution regarding the lenses
- independent of lens material
- quick and easy lens change


## RECOMMENDATION


- CR 39/ high index lens 1.6 this depends on dioptries
- dioptries: +/-10 dpt possible
- antireflective coating



a731

 39 x 30 mm (869 mm<sup>2</sup>)

 39 mm


 26 mm


 18°



a747

 49 x 37 mm (1480 mm<sup>2</sup>)


 58 mm

 17 mm


 12°



a727

 39 x 32 mm (921 mm<sup>2</sup>)

 39 mm


 26 mm

 10°


Attention: short distance to eyelashes!



a798

 39 x 32 mm (921 mm<sup>2</sup>)

 39 mm


 26 mm


 10°



a779

 46 x 31 mm (1099 mm<sup>2</sup>)


 47 mm


 19 mm


 17°



a546





 39 x 32 mm (921 mm<sup>2</sup>)

 39 mm

 26 mm





 10°

# PRESCRIPTION-OVERVIEW

MODEL	NAME	SIZE	 RX CLIP-IN RIMLESS			 RX CLIP-IN RIM		 RX ADAPTER	 RX DIRECT INFRAME GLAZING
			CHASSIS	<small>fixed with demo lens</small> OPTION 1	<small>fixed with demo lens</small> OPTION 2	<small>fixed with demo lens</small> OPTION 1	<small>fixed with demo lens</small> OPTION 2		
ad01	ZONYK PRO	L	a515	a545					
ad02	ZONYK PRO	S	a515	a545					
ad03	ZONYK	L	a515	a545					
ad04	ZONYK	S	a515	a545					
ad05	ZONYK AERO PRO	L/S	a515	a545					
ad06	ZONYK AERO	L/S	a515	a545					
ad20	JAYSOR		a515	a714	a779			*	
ad21	BABOA		a515	a714	a779			*	
ad22	HORIZOR		a515	a714	a779			*	
ad80	BACKLAND				a546				
ad81	PROGRESSOR C				a546				
ad82	PROGRESSOR S				a546				
ad83	PROGRESSOR PRO				a546				
ad84	BACKLAND DIRT				a546				
a162	ID2				a747				
a167	EVIL EYE HALFRIM PRO	L	a515 / a516	a714	a715	a731	a779	a530	*
a168	EVIL EYE HALFRIM PRO	S	a515 / a516	a714	a715	a731	a779	a531	*
a180	EVIL EYE HALFRIM PRO	XS	a515 / a516	a708	a715	a731	a779	a539	*
a181	EVIL EYE HALFRIM PRO	L	a515 / a516	a714	a715	a731	a779	a530	*
a184	ID2 PRO					a747			
a189	TYCANE PRO	L	a515 / a516	a714	a715	a731	a779	a540	*
a190	TYCANE PRO	S	a515 / a516	a714	a715	a731	a779	a541	*



# PRESCRIPTION-OVERVIEW

MODEL	NAME	SIZE	 RX CLIP-IN RIMLESS			 RX CLIP-IN RIM			 RX ADAPTER		 RX DIRECT INFRAME GLAZING
			CHASSIS	OPTION 1 <small>fixed with demo lens</small>	OPTION 2	OPTION 1 <small>fixed with demo lens</small>	OPTION 2	OPTION 1	OPTION 2		
a191	TYCANE	L	a515 / a516	a714	a715	a731	a779	a540	*		
a192	TYCANE	S	a515 / a516	a714	a715	a731	a779	a541	*		
a193	EVIL EYE EVO PRO	L	a516	a715	a723	a731		a542	*		
a194	EVIL EYE EVO PRO	S	a516	a715	a723	a731		a543	*		
a196	TYCANE PRO OUTDOOR	L	a515 / a516	a714	a715	a731	a779	a540	*		
a197	TYCANE PRO OUTDOOR	S	a515 / a516	a714	a715	a731	a779	a541	*		
a198	EVIL EYE HALFRIM PRO	S	a515 / a516	a714	a715	a731	a779	a531	*		
a199	EVIL EYE HALFRIM PRO	XS	a515 / a516	a708	a715	a731	a779	a539	*		
a402	EVIL EYE HALFRIM	L	a515 / a516	a714	a715	a731	a779	a530	*		
a403	EVIL EYE HALFRIM	S	a515 / a516	a714	a715	a731	a779	a531	*		
a412	EVIL EYE HALFRIM	XS	a515 / a516	a708	a715	a731	a779	a539	*		
a418	EVIL EYE EVO	L	a516	a715	a723	a731		a542	*		
a419	EVIL EYE EVO	S	a516	a715	a723	a731		a543	*		
a421	KUMACROSS HALFRIM		a515	a714	a708	a779		a544	*		
a423	WHIPSTART		a515	a714	a708	a779			•		
a424	KUMACROSS 2.0		a515	a714	a708	a779			•		
a425	WILDCHARGE		a515	a714	a708	a779			•		
a426	MATIC		a515	a714	a708	a779			•		
a427	3MATIC		a515	a714	a708	a779			•		
a428	EXCALATE		a515	a714	a708	a779			•		
a429	SPRUNG		a515	a714	a708	a779			•		