



NEW YORK SKY
MEN
Model 8733

Try it. Wear it. Love it.

Silhouette

ICONIC EYEWEAR MADE IN AUSTRIA. SINCE 1964.



1

Inspired by modern, urban architecture, the striking contrasts produced by the materials and surfaces create an innovative "form-in-form" look

2

Bold aviator shape with ultra-thin rings layered around the lenses, creating a striking 3D look

3

Featuring slender titanium temples, stylish integrated snap hinges and interchangeable temples

4

23-carat heavy gold-plated

- Lightweight
 - Flexible
 - Durable
 - Hypoallergenic
-

5

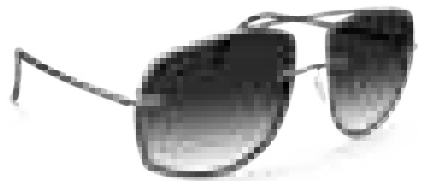
Adjustable & trimmable temples for a perfect fit

NEW YORK SKY

8733



Col. / 75 6560 RUTHENIUM / BLACK
SILHOUETTE LIGHT MANAGEMENT®
POL GREY



Col. / 75 7000 RHODIUM / BLACK
CLASSIC GREY GRADIENT



Col. / 75 7520 GOLD / BROWN
CLASSIC BROWN GRADIENT



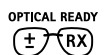
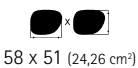
Col. / 75 7620 GOLD / BLACK
SILHOUETTE LIGHT MANAGEMENT®
POL GREEN



ALL METAL PARTS 23 KT GOLD PLATED

Metal frame with parts made of
High-Tech Titanium and SPX®+

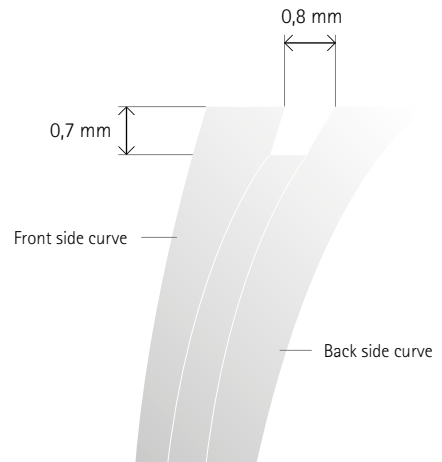
Lenses: polycarbonate
Curving: base 6
100 % UV A-, B-, C-protection



GROOVED GLAZING

Milling of optical lenses with groove

Groove-depth:	0,7 mm
Groove-width:	0,8 mm
Basis curve frame:	5
Basis curve lens:	4-6
Minimum thickness of lens rim:	1,8 - 2,0 mm



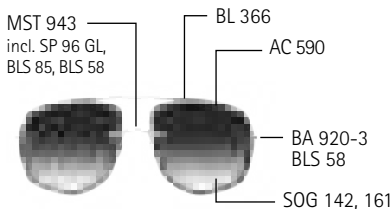
ATTENTION: due to minimalist diameters of front frame do not heat under any circumstances!

Insert lens from behind!

Note: mounting from the front could crack the lens

Transfer shape only via OMA-files!

SPARE PARTS



B 8725 BM 651 GK 224

BLS 85 ✕ SP 96 GL ✕ BLS 58

for optical glazing

OPTICAL READY SOG 146/541 clear lens
 BLS 58

BLS 110 hinge disc
 BLS 111 hinge disc

EQUIPMENT

Cardboard box FK 149 + 149-1
 Case SHE 243
 Slipcase PS 3
 Cleaning cloth PL 18-3
 Glazing tool VGLH 3
 Technical info VH 93
 Certificate ZE 310, 311, 312, 344-1

P 0036
 universal mounting-box

