

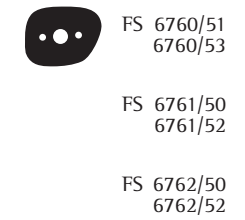
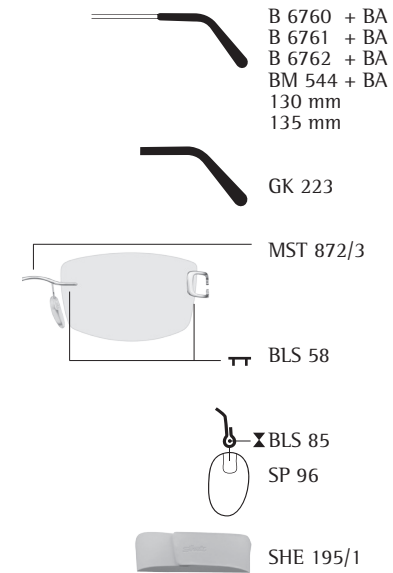
Silhouette®

Mod. 6760
6761
6762



SILHOUETTE
LIMELIGHT

LIMELIGHT
Mod. 6760
6761
6762



P 0027
Universal-Montage-Box
universal mounting-box
boîte de montage universelle



P 0023
Universal-Montagezange
universal assembly pliers
pince de montage universelle

Ersatzteile / Spare parts / Pièces de rechange

Mod. 6760, 6761, 6762

Metallfassung aus High-Tech Titanium, besetzt mit Swarovski Kristallen
Metal frame made of High-Tech Titanium, beset with Swarovski crystals
Monture en métal fabriqués en High-Tech Titanium, garnie de cristaux Swarovski

Col. /00-6050
rhodiniert
rhodium plated
plaqué en rhodié

Col. /20-6051
vergoldet
gold plated
plaqué-or

Col. /40-6052
verchromt, mit Farbfinish und Lackbeschichtung
chromium plated, with colour- and lacquer-finish
chromé, avec couleur de finition-vernie

LIMELIGHT



IVORY BROWN
Mod. 6760/40-6052

Kastensystem/Boxing system

	mm	51 x 29 (13,01cm ²)	53 x 31 (14,05cm ²)
	mm	55	57
	mm	18	18
	mm	130	135



BLACK GOLD
Mod. 6761/20-6051

Kastensystem/Boxing system

	mm	50 x 35 (14,30cm ²)	52 x 36 (15,47cm ²)
	mm	53	55
	mm	18	18
	mm	130	135



PURPLE SILVER
Mod. 6762/00-6050

Kastensystem/Boxing system

	mm	50 x 32 (13,88cm ²)	52 x 33 (15,02cm ²)
	mm	55	57
	mm	18	18
	mm	130	135

Silhouette®



Mod. 6760/40-6052
IVORY BROWN
metal parts brown shiny, temple ends ivory opaque,
print on temple ends outside and inside gold

Swarovski
Xilion Chaton 1 mm, colour: Light Colorado Topaz



Mod. 6761/20-6051
BLACK GOLD
metal parts gold shiny, temple ends black

Swarovski
Xilion Chaton 1 mm, colour: Crystal



Mod. 6762/00-6050
PURPLE SILVER
metal parts rhodium shiny, temple ends purple
opaque, print on temple ends outside and inside dark
rosé

Swarovski
Xilion Chaton 1 mm, colour: Amethyst