

Silhouette®

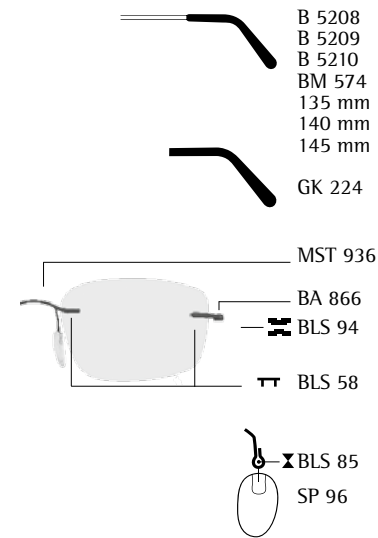
Mod. 5208
5209
5210



SILHOUETTE POWERLIGHT

POWERLIGHT

Mod. 5208
5209
5210



FS 5208/52
5208/54

FS 5209/52
5209/54

FS 5210/52
5210/54



P 0027
Universal-Montage-Box
universal mounting-box
boîte de montage universelle



P 0031
Zangen-Box
pliers box
boîte pour pinces



SHE 195/2

Ersatzteile / Spare parts / Pièces de rechange

Mod. 5208, 5209, 5210

Metallfassung aus High-Tech Titanium, besetzt mit Swarovski Kristallen
Metal frame made of High-Tech Titanium, beset with Swarovski crystals
Monture en métal fabriqués en High-Tech Titanium, garnie de cristaux Swarovski

Col. /20-6050
vergoldet
gold plated
plaqué-or

Col. /60-6052
mit Ruthenium beschichtet
ruthenium plated
plaqué en ruthenium

Col. /40-6051
verchromt, mit Farbfinish und Lackbeschichtung
chromium plated, with colour- and lacquer-finish
chromé, avec couleur de finition vernie



SILVER-BLACK HIGHLIGHT
Mod.5208/60-6052

Kastensystem/Boxing system

	mm	52 x 31 (14,27 cm²)	54 x 32 (15,39 cm²)
	mm	56	58
X	mm	19	19
	mm	135	140



SILVER-BROWN STYLE
Mod. 5210/40-6051

Kastensystem/Boxing system

	mm	52 x 35 (15,64 cm²)	54 x 37 (16,87 cm²)
	mm	56	58
X	mm	19	19
	mm	135	140



BLACK-GOLD PRESTIGE
Mod.5209/20-6050

Kastensystem/Boxing system

	mm	52 x 34 (15,37cm²)	54 x 35 (16,57 cm²)
	mm	58	60
X	mm	19	19
	mm	135	140



Mod.5208/60-6052

SILVER-BLACK HIGHLIGHT
bridge and side parts ruthenium shiny,
temple outside satinated, border of crystal shiny,
temple ends black, end-pieces chrome shiny



Mod.5209/20-6050

BLACK-GOLD PRESTIGE
temple ends black, end-pieces chrome shiny
temple outside satinated, border of crystal shiny,
temple ends black shiny, end-pieces gold shiny



Mod. 5210/40 - 6051

SILVER-BROWN STYLE
metal parts caramel shiny,
temple ends brown,
end-pieces titanium shiny

Swarovski
Cosmic Baguette 8 x 2,6 mm
colour: Silver Shade

Swarovski
Cosmic Baguette 8 x 2,6 mm
colour: Jet

Swarovski
Cosmic Baguette 8 x 2,6 mm
colour: Silver Shade