

Silhouette®

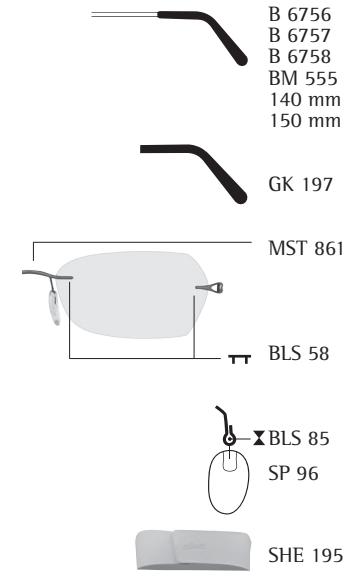
Mod. 6756
6757
6758



SILHOUETTE SPARKLING ICON

SPARKLING ICON

Mod. 6756
6757
6758



FS 6756/52
6756/54

FS 6757/51
6757/53

FS 6758/52
6758/54



P 0027
Universal-Montage-Box
universal mounting-box
boîte de montage universelle



P 0023
Universal-Montagezange
universal assembly pliers
pince de montage universelle

Ersatzteile / Spare parts / Pièces de rechange

Mod. 6756, 6757, 6758

Metallfassung aus High-Tech Titanium, besetzt mit Swarovski Kristallen
Metal frame made of High-Tech Titanium, beset with Swarovski crystals
Monture en métal fabriqués en High-Tech Titanium, garnie de cristaux Swarovski

Col. /20-6050
vergoldet
gold plated
plaqué-or

Col. /60-6052
mit Ruthenium beschichtet
ruthenium plated
plaqué en ruthenium

Col. /40-6051
Farbgebung durch anodische Oxydation, mit Lackfinish
colouring by anodic oxidation, with lacquer finish
coloration par oxydation anodique, avec finition de laque

SPARKLING ICON



CRYSTAL GOLD
Mod. 6756/20-6050

Kastensystem/Boxing system

	mm	52 x 34 (14,66cm ²)	54 x 35 (15,81cm ²)
	mm	56	58
	mm	17	17
	mm	140	140



BLUE SILVER
Mod. 6757/60-6052

Kastensystem/Boxing system

	mm	51 x 27 (11,67cm ²)	53 x 28 (12,60cm ²)
	mm	54	56
	mm	17	17
	mm	140	140

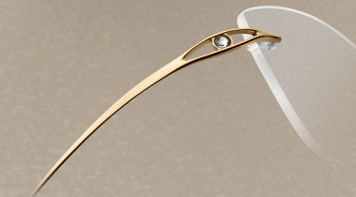


SILK BROWN
Mod. 6758/40-6051

Kastensystem/Boxing system

	mm	52 x 29 (12,74cm ²)	54 x 30 (13,74cm ²)
	mm	54	56
	mm	17	17
	mm	140	140

Silhouette®



Mod. 6756/20-6050
CRYSTAL GOLD
metal parts gold, inside satinated

Swarovski
Xilion Rose Ø 2,3 mm, colour: Crystal

Mod. 6757/60-6052
BLUE SILVER
metal parts silver, inside satinated

Swarovski
Xilion Rose Ø 2,3 mm, colour: Light Sapphire

Mod. 6758/40-6051
SILK BROWN
metal parts brown, inside satinated

Swarovski
Xilion Rose Ø 2,3 mm, colour: Silk