

Silhouette[®]
AUTHENTIC EYEWEAR. SINCE 1964.

SUN 2018
Mod. 8163



TITAN MINIMAL ART. ATWIRE.



Property of Silhouette / © Silhouette

www.silhouette.com

K 8163 00 0000 0000

Col. / 75-3530
MINT-ROSE GRADIENT
metal parts: rose gold shiny
metal lens decoration: rose gold shiny
temple ends: khaki with mint
temple tips: rose gold matte



Col. / 75-3640
CLASSIC GREY GRADIENT
metal parts: rose shiny
metal lens decoration: rose shiny
temple ends: black with rose
temple tips: black shiny



Col. / 75-5040
TEAL-ROSE GRADIENT
metal parts: mint silky matte
metal lens decoration: rose silky matte
temple ends: green with mint
temple tips: silver matte



Col. / 75-5540
BRASS-NUDE GRADIENT
metal parts: brass shiny
metal lens decoration: khaki brown shiny
temple ends: brown with beige
temple tips: titanium shiny




Boxing System / Kastensystem / Système de castes



58 x 50 (23,02 cm²)


66


17


140

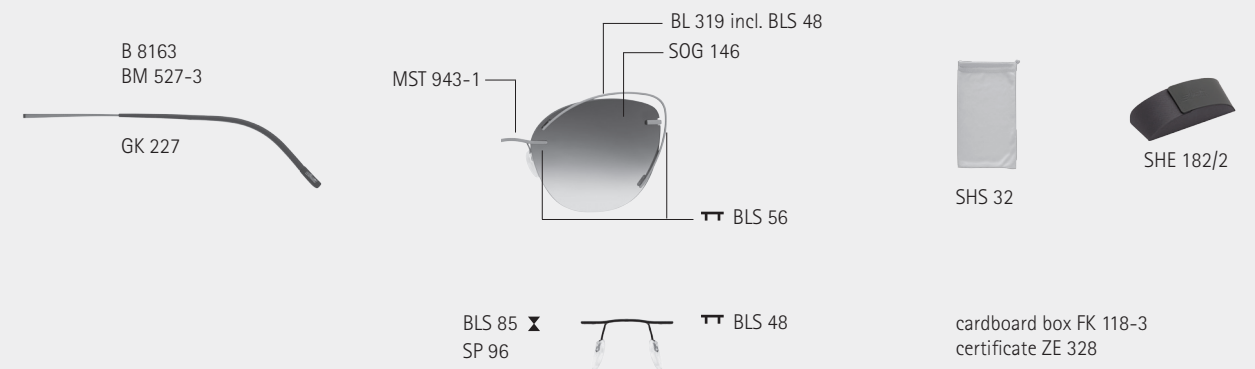

16°

 $n \geq 1,6$
(+ PC, Trivex)

Metallfassung aus High-Tech Titan
Gläser: Polycarbonat
Wölbung: Base 6
100 % UV A-, B-, C-Schutz

Metal frame made of High-Tech Titanium
Lenses: polycarbonate
Curving: base 6
100 % UV A-, B-, C-protection

Monture en métal en High-Tech Titanium
Verres: polycarbonate
Courbure: base 6
Protection de 100 % de UV A, B, C



technische Änderungen und Druckfehler vorbehalten
specifications are subject to change without notice, no liability will be assumed for misprints
sous réserve de modifications techniques et d'erreurs d'impression